



安装说明 / INSTALLATION INSTRUCTIONS

细管卷管器 Thinline™ Hose Reel



官方微信号 天猫旗舰店



服务热线

Customer Service Hotline

40088 57315

目录 CONTENTS

卷管器的更换	Existing Reel Replacement.....	1
卷管器的安装	New Reel Installation	2
卷管器的左 / 右变换	Reversing Reel	12
焊接注意事项	Welding Specifications.....	16
胶管长度计算	Hose Length Calculations.....	17



警告: 安装不当是导致属具故障的第一要素, 请在安装属具前认真阅读本《安装说明书》。

WARNING: Incorrect installation is the main calls of Attachment malfunctioning. Please do read this *INSTALLATION INSTRUCTION* comprehensively before installation.

重要提示: 现场改动将减弱属具的性能和承载能力, 并导致失去保修资格, 任何需要对属具进行的改动, 请事先与卡斯卡特公司协商。

IMPORTANT: Field alterations may impair performance or capability and could result in loss of warranty. Consult Cascade for any required modifications. Operating at pressures over 2300 psi (160bar) will void warranty.

注意: 叉车 / 属具综合承载能力系由叉车主机厂确定, 其值可能比属具铭牌上所示数值小, 请参见叉车铭牌。

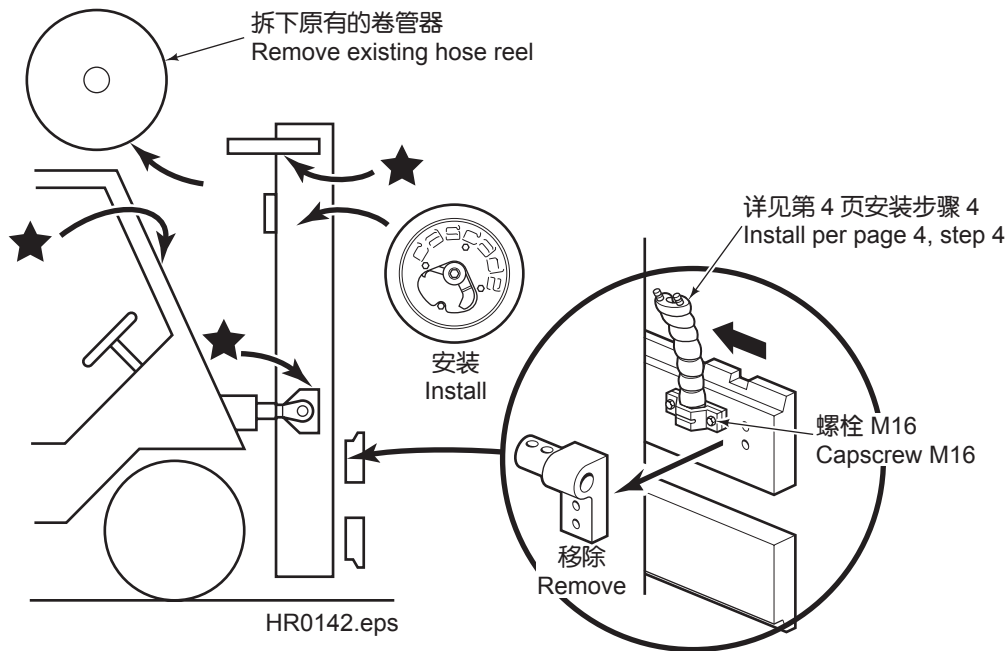
CAUTION: Rated capacity of the truck/attachment combination is a responsibility of the original truck manufacturer and may be less than shown on the attachment nameplate. Consult the truck name-plate.

卡斯卡特保留对本手册进行修改的权力。如有修改, 恕不另行通知, 请留意相应的版本号。

All right reserved. The content are subject to change without notice. Please note the version No.

卷管器的更换

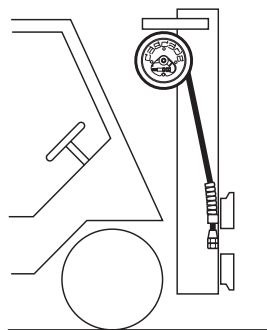
EXISTING REEL REPLACEMENT



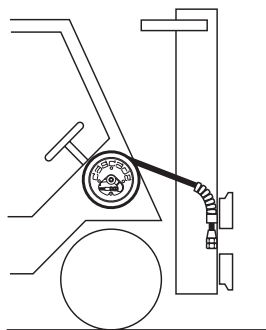
- ★ 检查图示位置的间距
- ★ Check clearances at these locations

卷管器的安装 NEW REEL INSTALLATION

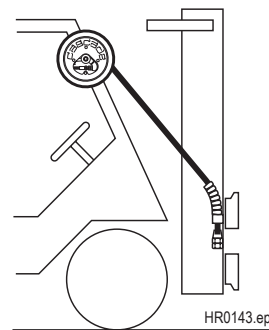
1 选择安装位置 Select Mount Location



最佳
Preferred



好
Good

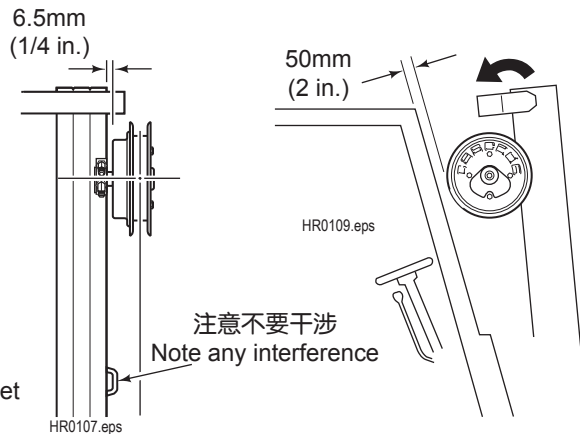
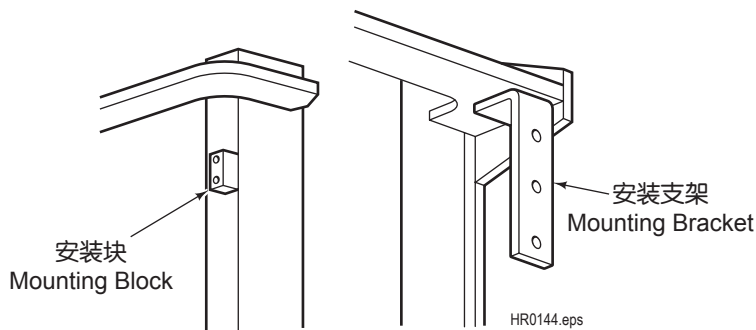


好
Good

HR0143.eps

卷管器的安装 **N**EW REEL INSTALLATION

2 安装固定支架 Install Mounting Bracket



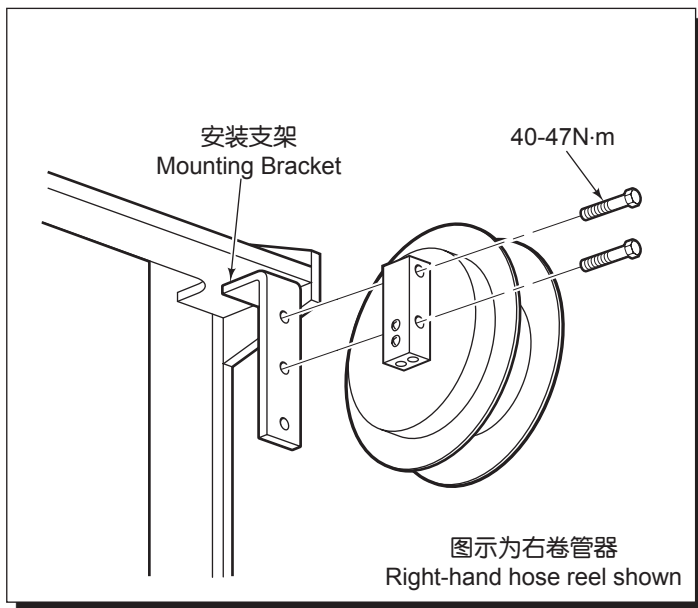
选择满足所有最小间距要求的位置
Select location for necessary minimum clearances shown

▲ 详见第 16 页焊接注意事项
See page 16 for welding instruction

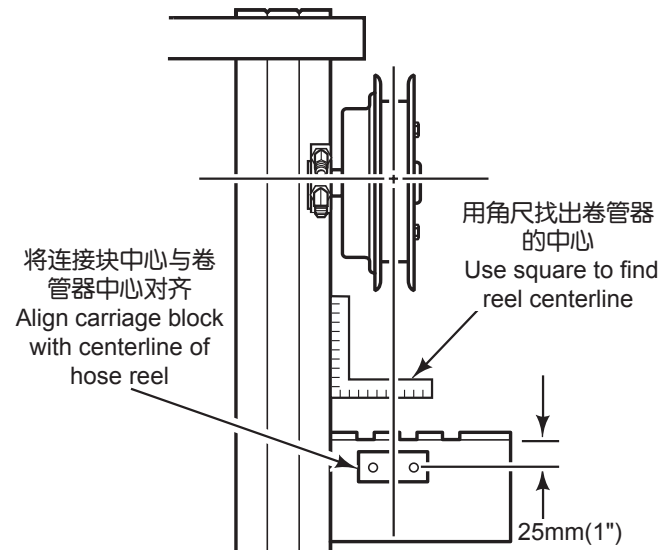
 HR0108.eps	胶管尺寸 Hose Sizes	最小间距 Min. Clearances
	No.4/(11" 盘径)	50mm(2 in.)
No.6/(13" 盘径)	63.5mm(2.5 in.)	
No.6/(16" 盘径)	63.5mm(2.5 in.)	
No.8/(16" 盘径)	76mm(3.0 in.)	

卷管器的安装 NEW REEL INSTALLATION

3 安装卷管器 Mount Hose Reel



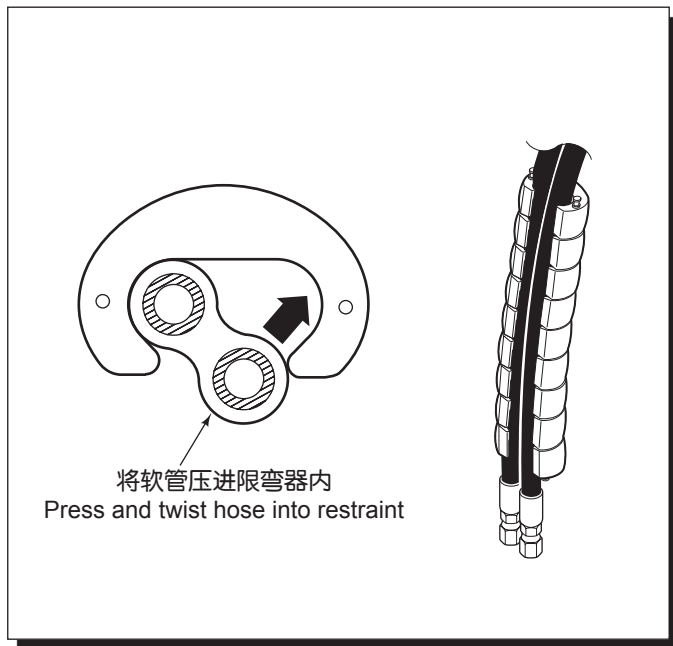
4 安装连接块 “DOWN” Terminal Connection Block



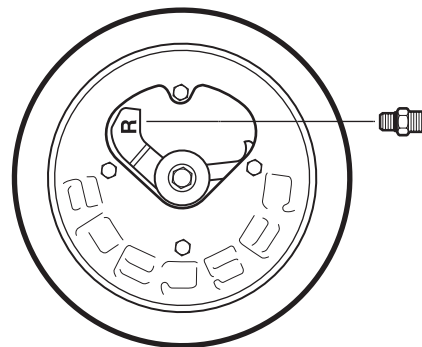
注：安装时参见第 16 页的焊接技术要求
Note: See page 16 for welding instructions

卷管器的安装 **N**EW REEL INSTALLATION

5 将软管装进限弯器 Install Hose into Restraint



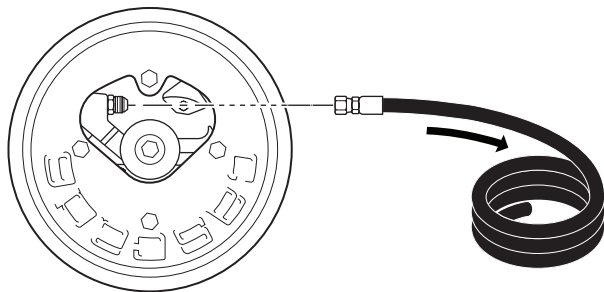
6 安装软管接头 Install Hose Fitting



卷管器的安装 NEW REEL INSTALLATION

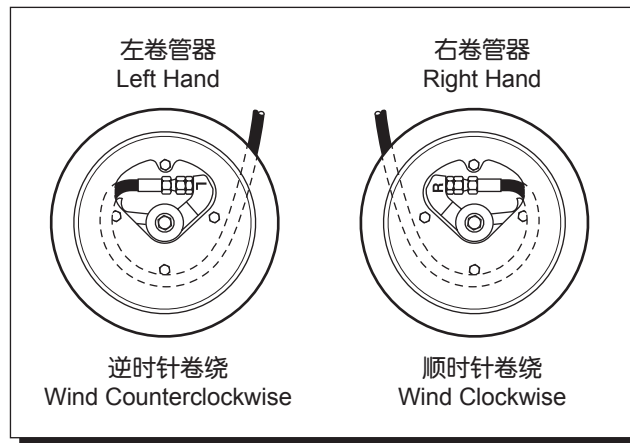
7 将软管安装在卷管器上 Install Hose on Reel

安装软管时注意软管不要缠绕在一起
Hold hose while tightening to prevent twisting



注意：安装软管时须顺着卷管的方向
Note: Install hose with natural set in direction of wind

8 将软管卷绕在卷管器上 Wind Hose on Reel



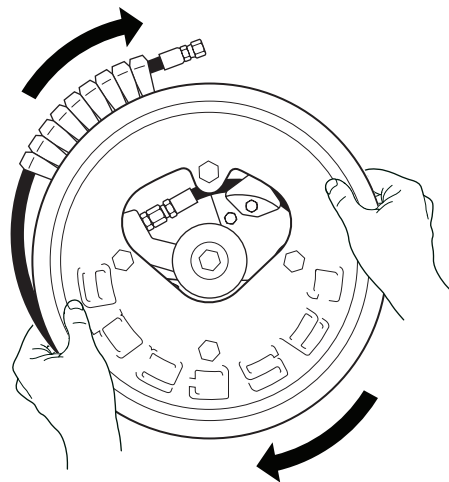
卷管器的安装 **N**EW REEL INSTALLATION

9 卷管器的预绕 Prewind Hoses Reel

注意：卷管器已经安装在门架上
Note: Hose Reel mounted on mast

右图所示为右卷管器（左卷管器的预绕与其相反）
R.H reel shown(L.H reel prewind in opposite direction)

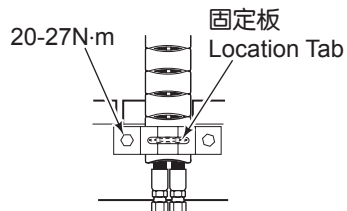
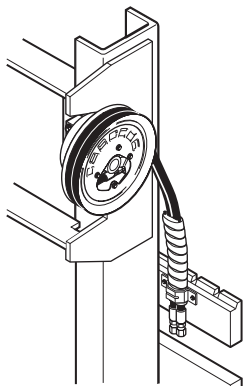
胶管尺寸 Hose Size	预绕圈数 Prewind	最大圈数 Max. Turns
No.4/(11" 盘径)	5	11
No.6/(13" 盘径)	5	13
No.6/(16" 盘径)	5	13
No.8/(16" 盘径)	5	13



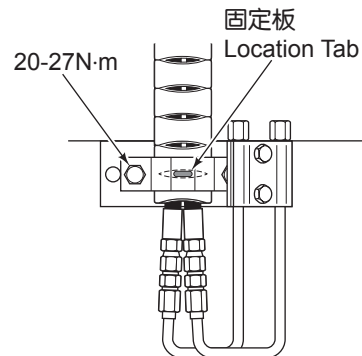
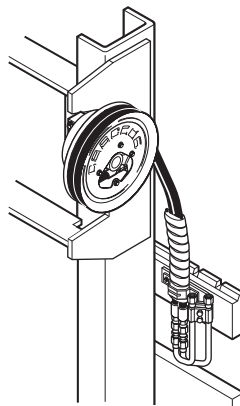
卷管器的安装 NEW REEL INSTALLATION

10

安装限弯器 Mount Hose Connection Terminal



在限弯器的第一、第二节之间，用固定板索道叉车货叉架上横梁背面
Install clamp locating tab between first and second segments

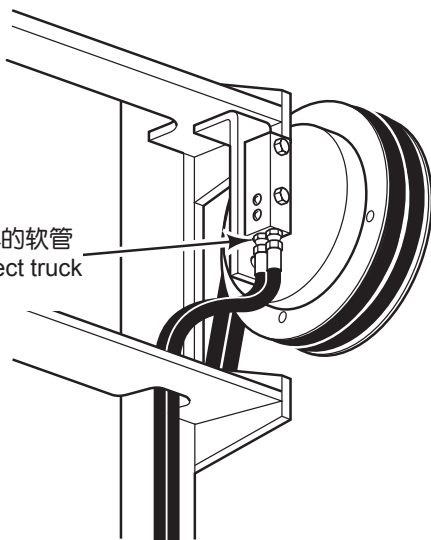


对于管路应朝上连接到属具的情况
For attachment connection above carriage

卷管器的安装 **N**EW REEL INSTALLATION

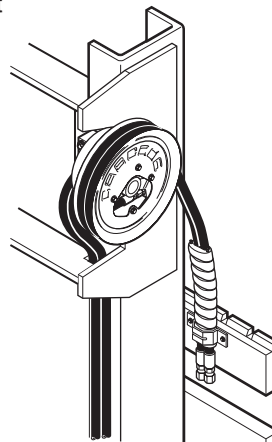
11 连接叉车软管 Connect Truck Hose

装上接头并连接到叉车的软管
Install fitting and connect truck hoses



12 再次检查间距 Recheck Clearances

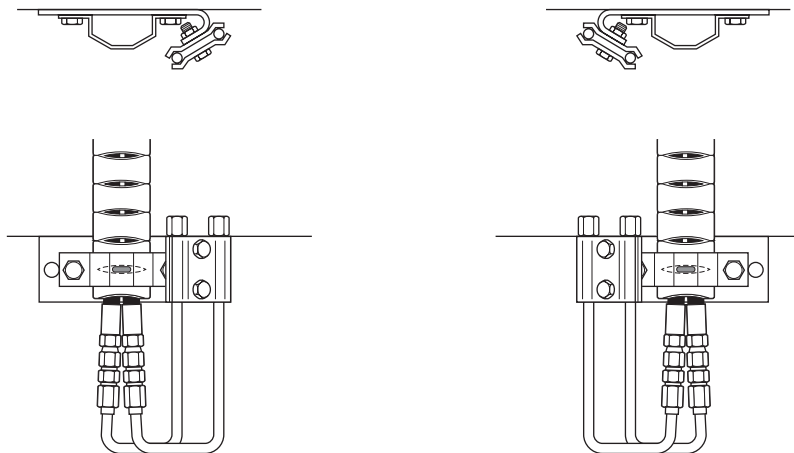
前 / 后倾门架
Tilt



升 / 降货叉架
Raise and lower

卷管器的安装 **N**EW REEL INSTALLATION

根据实际情况管路朝上布置有两种形式
Two kinds of Mounting Tub Assembly



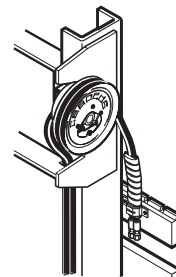
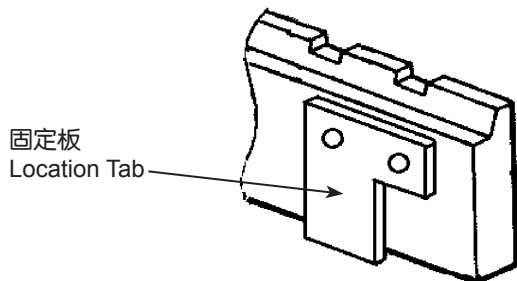
钢管位于外侧
Be placed outside

钢管位于内侧
Be placed inside

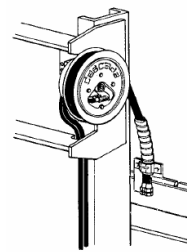
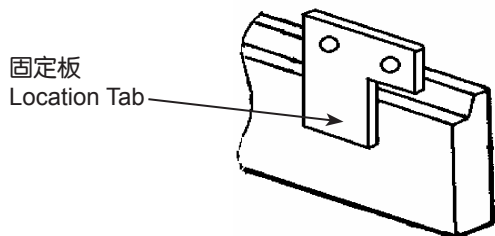
卷管器的安装 **N**EW REEL INSTALLATION

根据实际情况安装固定板有两种形式
Two kinds of Mounting Carriage Block

- a. 限弯器末端低于叉车货叉架上横梁
The End of Hose Connection Terminal is higher than the upper carriage



- b. 限弯器末端高于叉车货叉架上横梁
The End of Hose Connection Terminal is lower than the upper carriage

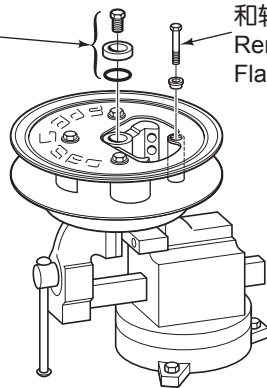


说明：考虑到各种型号的叉车货叉架宽度、货叉架后端面与叉车轮胎间距不同等原因，在安装限弯器固定板及钢管时，以上两种不同的安装形式供参考。在具体安装时，应根据实际情况的需要进行。

卷管器的左右变换 **R**EVERSING REEL

1 将卷管器固定在台钳上 Place Reel in Vise

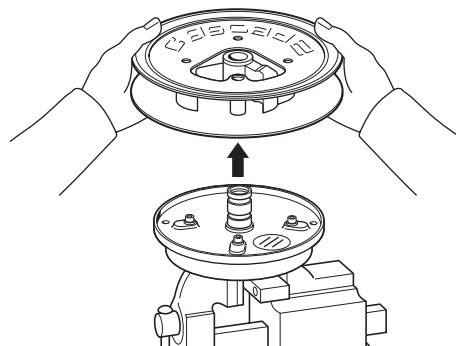
拆下螺栓、压套及 O 型圈
Remove Screw, Cap and
O-Ring



拆下 4 个轮盘上的螺栓
和软管导块
Remove Screws in 4
Flanges and hose guide

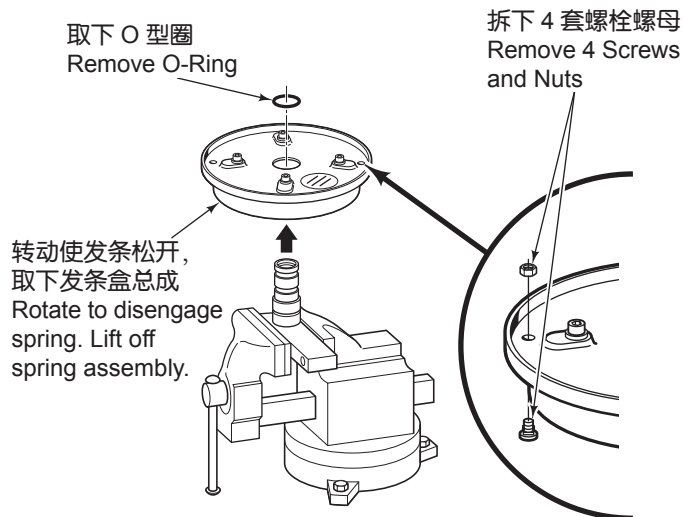
2 拆下轮盘 Remove Flanges

握住轮盘，转动并向上拉，使其拖出转轴
Grasp both flange, rotate while lifting off shaft



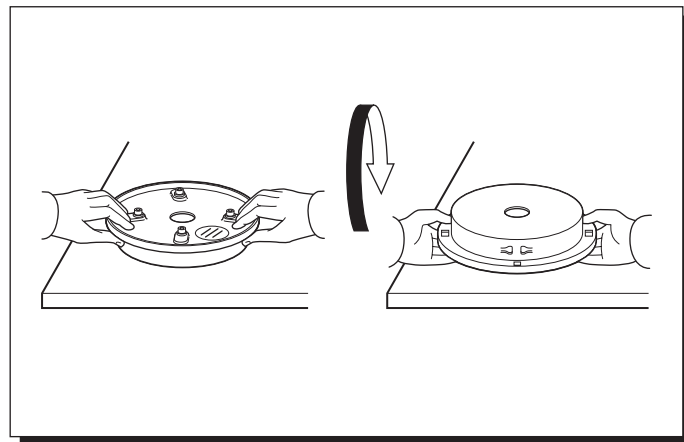
卷管器的左右变换 **R**EVERSING REEL

3 拆下发条盒总成 Remove Spring Assembly



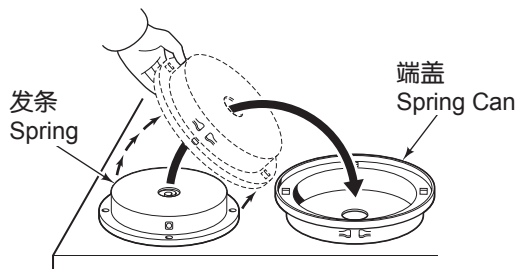
注意：不要刮伤转轴
CAUTION: Do not damage shaft

4 将整个发条盒总成翻转 Turn Spring Assembly

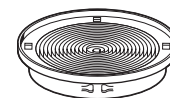


卷管器的左右变换 **R**EVERSING REEL

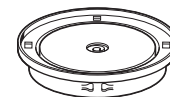
5 翻起发条盒端盖 Lift Off Spring Can



6 将发条轻轻放进发条盒中 Slide Spring into Can



右卷管器
Right Hand Reel



左卷管器
Left Hand Reel

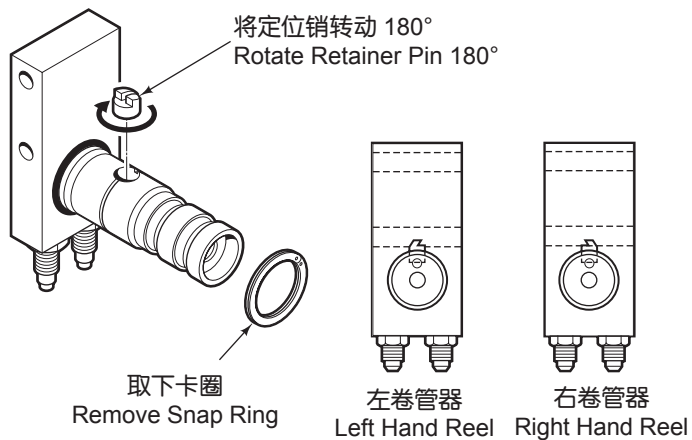


注意：不要从内盘上取下发条，发条处于紧绷状态。

WARNING: Do not remove spring from Inner Can. Spring is under Tension.

卷管器的左右变换 **R**EVERSING REEL

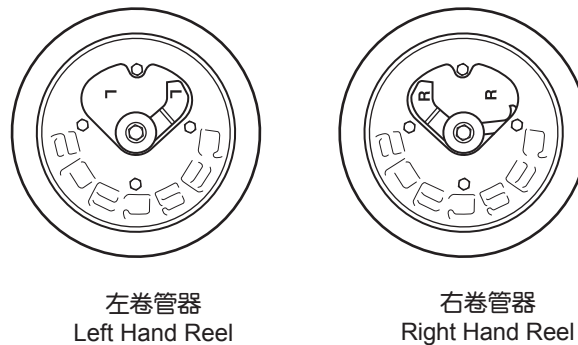
7 反转弹簧的定位销 Reverse Spring Retainer Pin



8 反转弹簧的定位销 Reverse Spring Retainer Pin

装配时，将第 1 步至第 3 步按相反顺序进行即可，使轮毂和盖板上的字母对齐。

For reassembly, reverse steps 1 through 3. Assemble with letters on hub and cover matching.





1. 采用角焊，焊缝高度 5mm.

Use 5mm fillet weld.

2. 采用 E600XX 焊条 (或相当材料)，不需要预热及保温。

Use E600XX weld rod. No preheat or post heat is required.

3. 切断叉车电池的电路。

Disconnect truck alternator.

4. 管轮的安装板早灾门架槽钢外侧，连接块的安装板焊在货叉架横梁背面上。

Ground mounting bracket on outer channel, and terminal subplate on carriage.

5. 遮盖门架附近的零部件 (如链条，油管等)，以防被焊渣溅伤。

Protect adjacent mast parts from weld splatter.

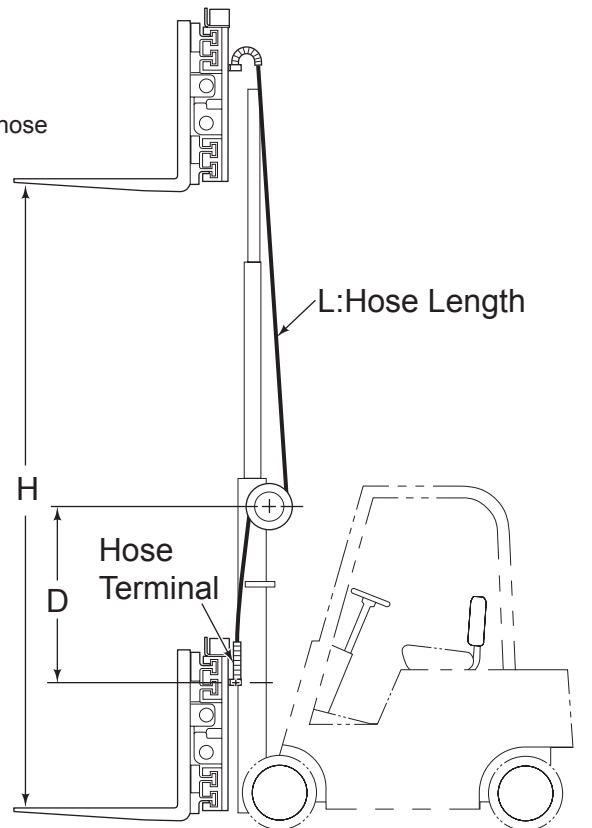
软管长度计算 HOSE LENGTH CALCULATION

H: 叉车门架总起升高度
D: 卷管器中心至软管尽端的距离
L: 所需软管长度
K: 常数 =460mm(#4 软管)
 =710mm(#6 软管)
 =860mm(#8 软管)
当 $H \geq 2D$ 时, $L = H - D + K$
当 $H < 2D$ 时, $L = D + K$
有效软管长度 = $L - K$

H=Total lift height
D=Distance from centerline of reel to end of hose
L=Required hose length
K: Constant=18" for No. 4 hose
 =28" for No. 6 hose
 =34" for No. 8 hose
When $H \geq 2D$, $L = H - D + K$
When $H < 2D$, $L = D + K$
Useable hose length = $L - K$

注意: K 值软管长度是必须卷绕在卷管器上的软管长度值。计算所需软管长度时, 须考虑加上此 K 值。用上述公式来计算软管总长。

NOTE: It is essential that the indicated length of hose(K) be prewrapped on the reel at all times. This amount is included when using this formula for calculating line length.



卡斯卡特（厦门）叉车属具有限公司

Cascade Xiamen Forklift Truck Attachment Co.Ltd

地址：厦门市海沧区阳光路 668 号

邮编：361026

No. 668 Yangguang Road, Haicang, Xiamen, Fujian, 361026, P.R. China

电话 /Tel: 0592-6512500 传真 /Fax: 0592-6512571

cascade corporation

www.cascorp.com.cn

卡斯卡特(厦门)公司保留对本手册修改的权力,如有修改,恕不另行通知。

Cascade Xiamen reserves the rights to make change without notice.

1210952 R2 XM CN 08/2017