



安装说明 / INSTALLATION INSTRUCTIONS

倾翻架、倾翻式废纸叉 Hinged Forks & Hinged Broke Forks



官方微信号 天猫旗舰店

 服务热线
Customer Service Hotline

40088 57315

目录 CONTENTS

对叉车的要求	TRUCK REQUIRMENTS	1
倾翻式废纸叉	HINGED BROKE FORKS	2
倾翻架	HINGED FORKS	3
安装	INSTALLATION	4

▲ **警告：**安装不当是导致属具故障的第一要素，请在安装属具前认真阅读本《安装说明书》。

▲ **注意：**叉车/属具组合承载能力系由叉车主机厂确定，其值可能比属具铭牌上所示数值小，请参见叉车铭牌。

💡 **重要提示：**现场改动将减弱属具的性能和承载能力，并导致失去保修资格。任何需要对属具进行的改动，请事先与卡斯卡特公司协商。

▲ **WARNING:** Incorrect installation is the main cause of Attachment malfunctioning. Please read this **INSTALLATION INSTRUCTION** comprehensively before installation.

▲ **CAUTION:** Rated capacity of the truck/attachment combination is a responsibility of the original truck manufacturer and may be less than shown on the attachment nameplate. Consult the truck nameplate.

💡 **IMPORTANT:** Field alterations may impair performance or capability and could result in loss of warranty. Consult Cascade for any required modifications. Operating at pressures over 160bar(2300 psi) **will void warranty.**

对叉车的要求

T RUCK REQUIRMENTS

叉车供油压力Truck Relief Setting
 推荐压力值(Recommended Pressure):140bar(2000psi)
 最大压力值(Maximum Pressure):160bar(2300psi)
 叉车供油流量Truck Flow Volume

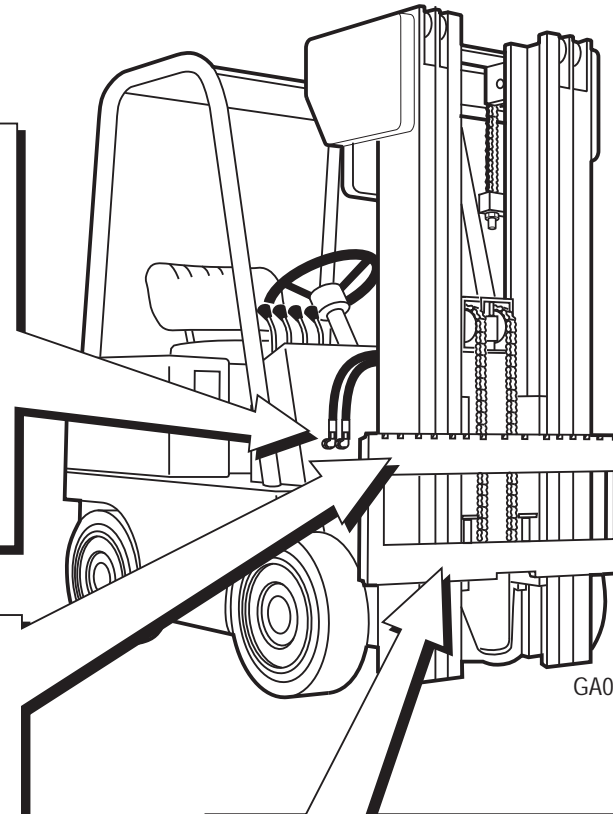
	最小值Min	推荐值Recommended	最大值Max
X25G,X35G, X45G,X60G	19L/min (5GPM)	38L/min (10GPM)	57L/min (15GPM)



货叉架安装尺寸(A)ITA(ISO)
 Carriage Mount Dimension(A) ITA(ISO)

	最小值Min	最大值Max
Class II	380.0 mm(14.94in.)	381.0 mm(15.00in.)
Class III	474.5 mm(18.68in.)	476.0mm(18.74 in.)
Class IV	595.5 mm(23.44in.)	597.0 mm(23.50in.)

GA0028.eps



GA0080.eps

清洗货叉架，检查凹槽是否损伤。
 Clean carriage bars and inspect for damaged notches.

倾翻式废纸叉

HINGED BROKE FORKS

推荐胶管和管接头的直径:

Recommended hose and fitting size:

a. 货叉架油路 CARRIAGE

-8#管接头, 通径≥φ10cm.

NO.8 minimum fitting orifices of 13/32 in.

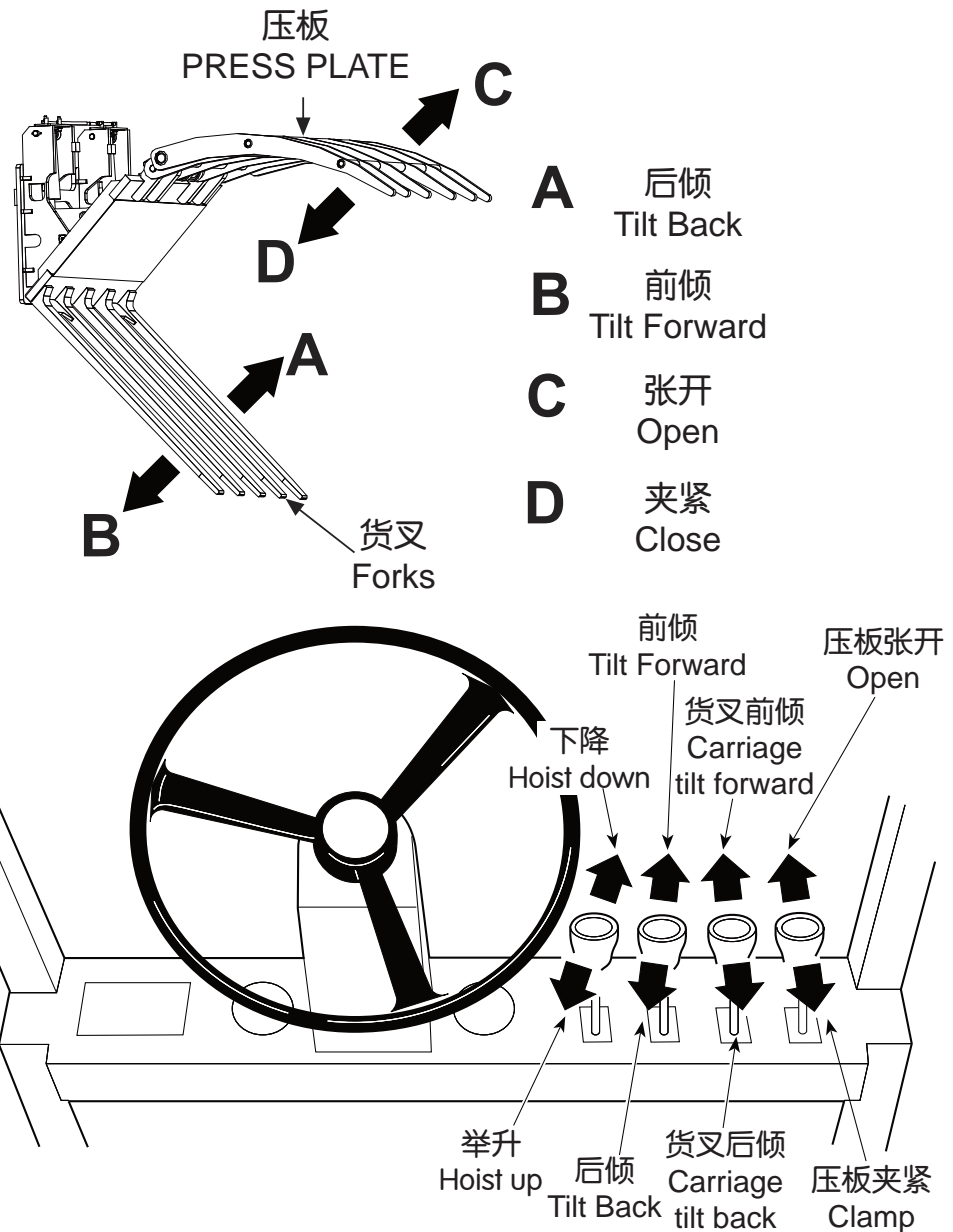
b. 压板油路 PRESS PLATE

-6#管接头, 通径≥φ7cm.

NO.6 minimum fitting orifices of 9/32 in.

为了符合有关标准, 在属具管路与叉车多路换向阀联接时, 应符合右图所列动作方向的规定。

In order to conform to industry standard practice, the hoses should be connected to the truck auxiliary valve as indicated on the opposite.



倾翻架 **H**INGED FORKS

推荐胶管和管接头的直径:

Recommended hose and fitting size:

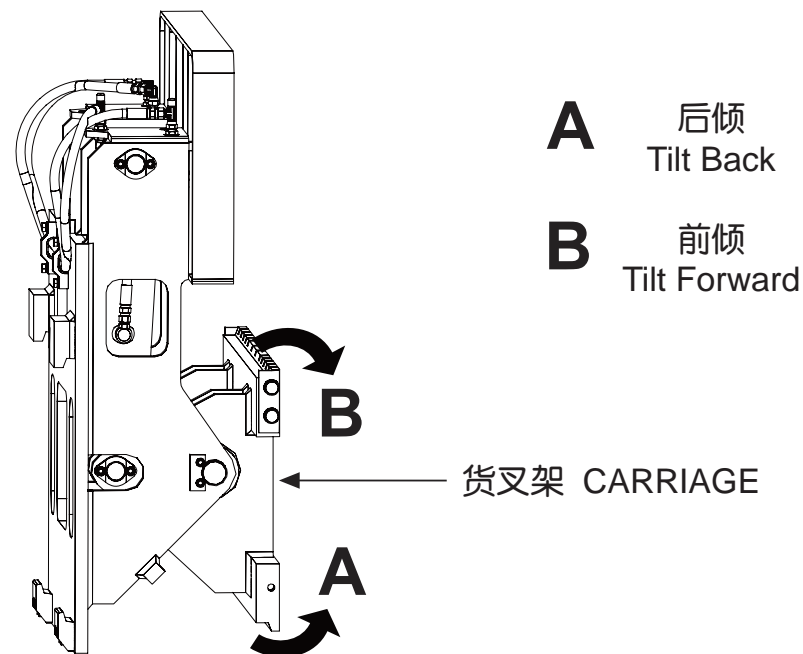
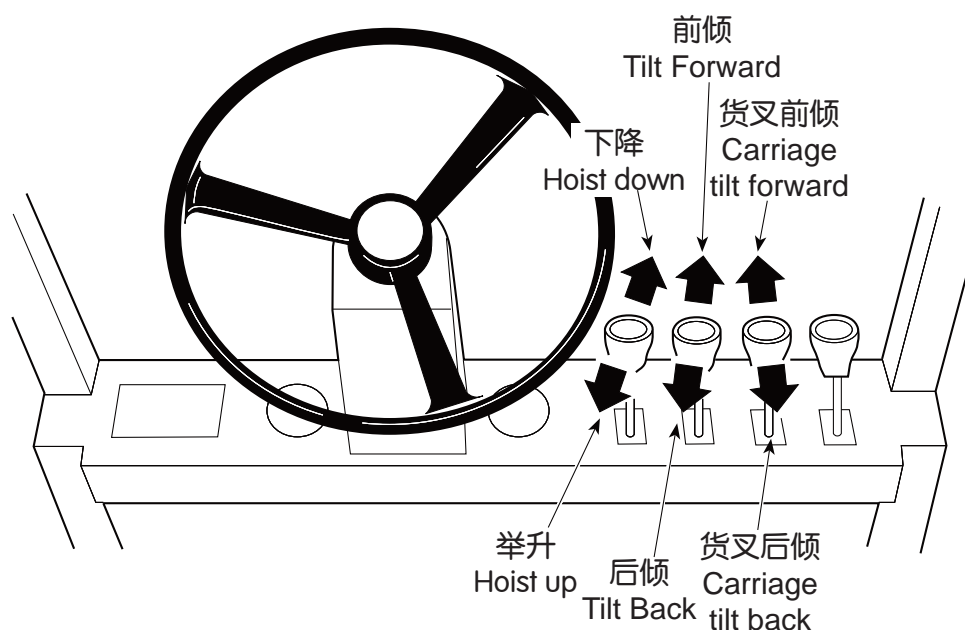
货叉架油路 CARRIAGE

-8#管接头, 通径≥φ10cm.

NO.8 minimum fitting orifices of 13/32 in.

为了符合有关标准, 在属具管路与叉车多路换向阀联接时, 应符合右图所列动作方向的规定。

In order to conform to industry standard practice, the hoses should be connected to the truck auxiliary valve as indicated on the opposite.



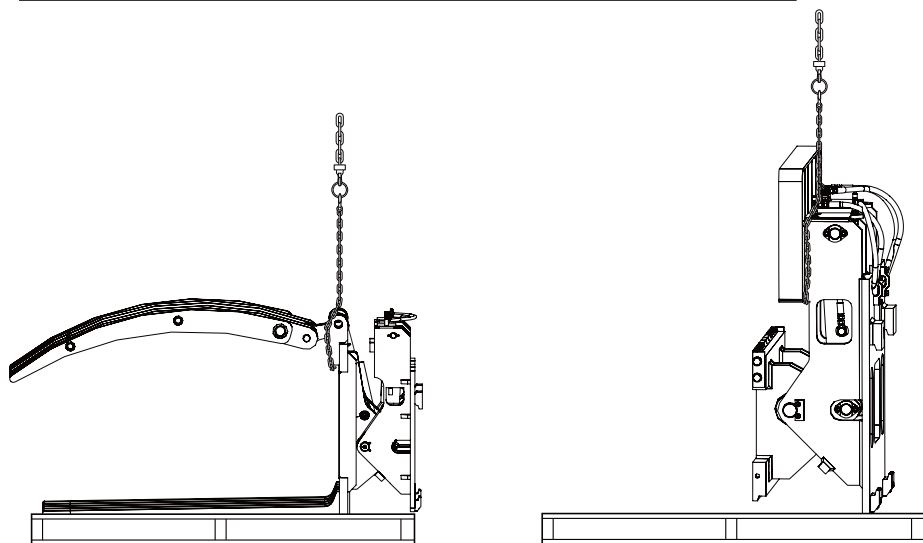
安装 / INSTALLATION

1 从托盘上吊起属具 Remove from pallet

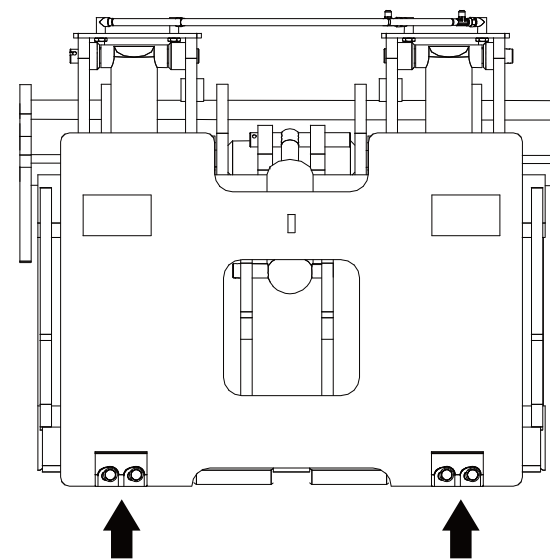
用合适的链条起吊，使属具处于垂直位置。
Attach a suitable overhead chain hoist Set the vertical.



警告：吊具的额定起重量至少为1100Kg。
WARNING: Make sure the overhead hoist has a rated capacity of at least 2400 lbs.



2 拆卸下钩 Remove lower hooks



安装

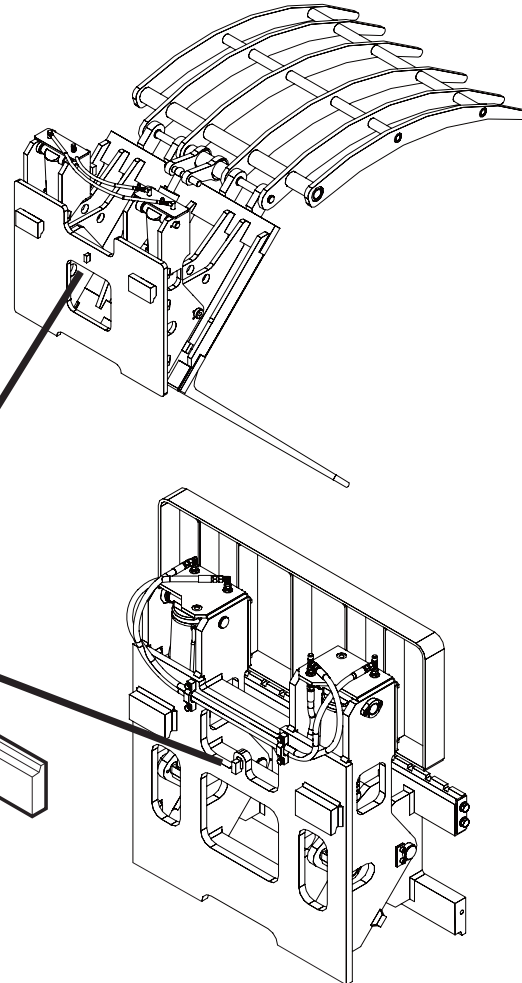
INSTALLATION

3 装上叉车 Mount on lift truck

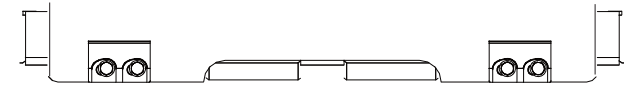
二级安装 15-17mm
三级安装 18-20mm
ITA Class II-.60-.66 IN.
ITA Class III-.72-.78 IN.

中心凹槽
Center Notch

二级安装 7-9mm
三级安装 9-11mm
ITA Class II-.32-.36 IN.
ITA Class III-.40-.44 IN.

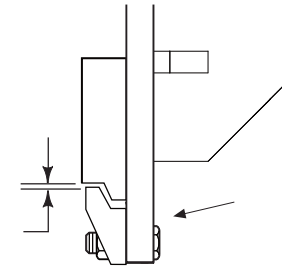


4 安装下钩 Install Lower Hooks



螺栓锁紧扭矩:
ISO II/III-165Nm
ISO IV-320 Nm

Tighten capscrews to:
Class II/III-165 Nm
Class IV-320 Nm



安装 / INSTALLATION

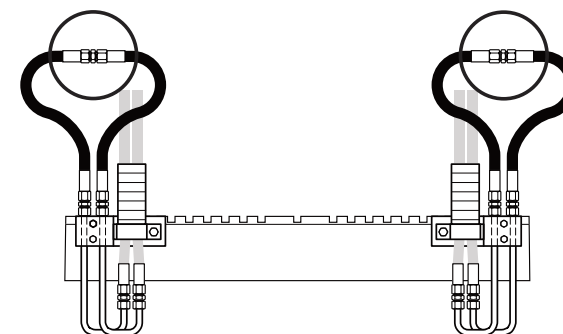
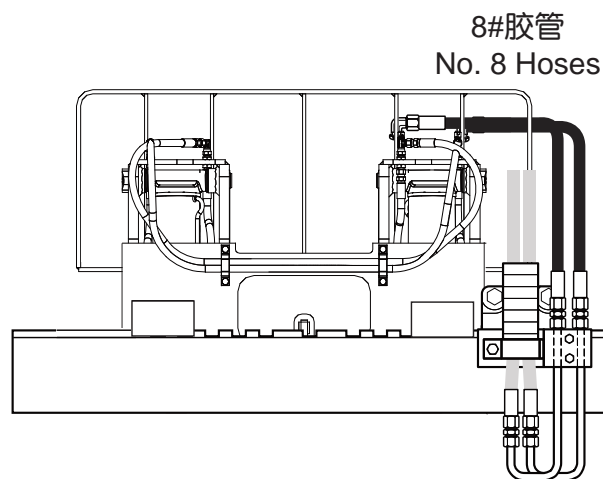
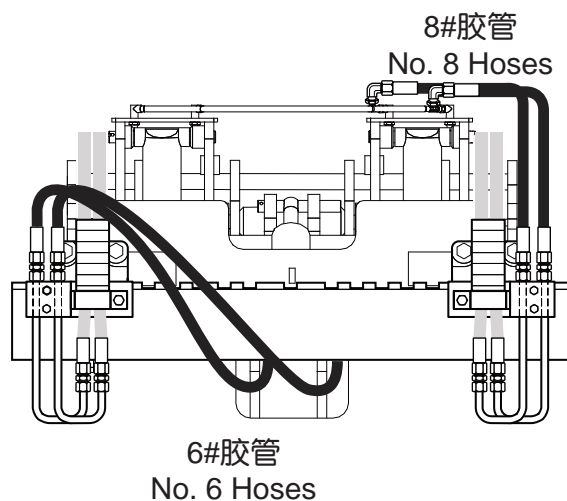
5 安装油管 Install Hose

1. 如图示，将油管与接头连接到属具上，驾驶叉车使货叉架靠近属具背面，根据油口相对位置确定连接油管的长度，拆下油管，切出所需的长度。

Connect the hydraulic hoses to the attachment using hoses and fittings as shown. Position the truck carriage behind the attachment to determine hose lengths required to connect hoses to the hose terminal kits. Remove the hose and cut the length as required.

2. 如图示冲洗胶管：将胶管一端与多路换向阀连接，另一端按图示管接头连接，启动叉车并操纵叉车多路换向阀手柄在两个方向各30秒，以便把留在管内的脏物冲到叉车液压油箱和滤油器中。

Connect hoses to the truck hose terminal kits or internal reeving fittings. Connect the hoses together using union fittings. Start the truck and actuate the truck control valves in both directions for about 30 seconds to carry any debris left in the hoses to the truck hydraulic tank and filter.

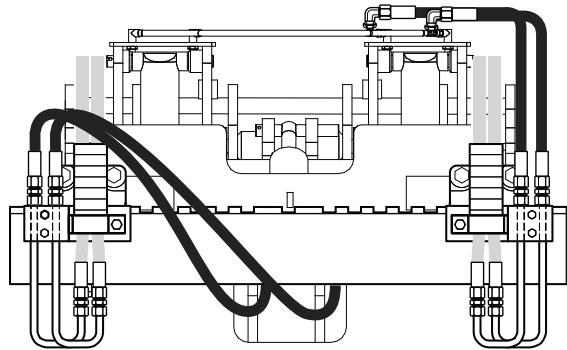


注意：若胶管的接头形式不一，请使用转换接头。
NOTICE: For No.6 hose connection, use a 6-8 reducer.

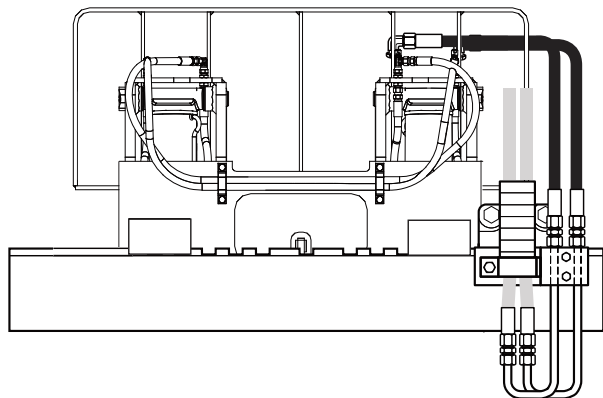


警告：必须按以上步骤冲洗管路以防损坏液压件。
WARNING: Flush the hoses as follows to prevent damage to the attachment hydraulic components.

3. 卸下接管接头，将胶管接于属具进油接头上。
Remove the union fittings and disconnect hoses terminal kits. Connect hoses to the attachment fittings.



4. 接好胶管，胶管不能有干涉，以防受损。
Connect hoses to the right fittings. Hoses should not be intervened for protection.

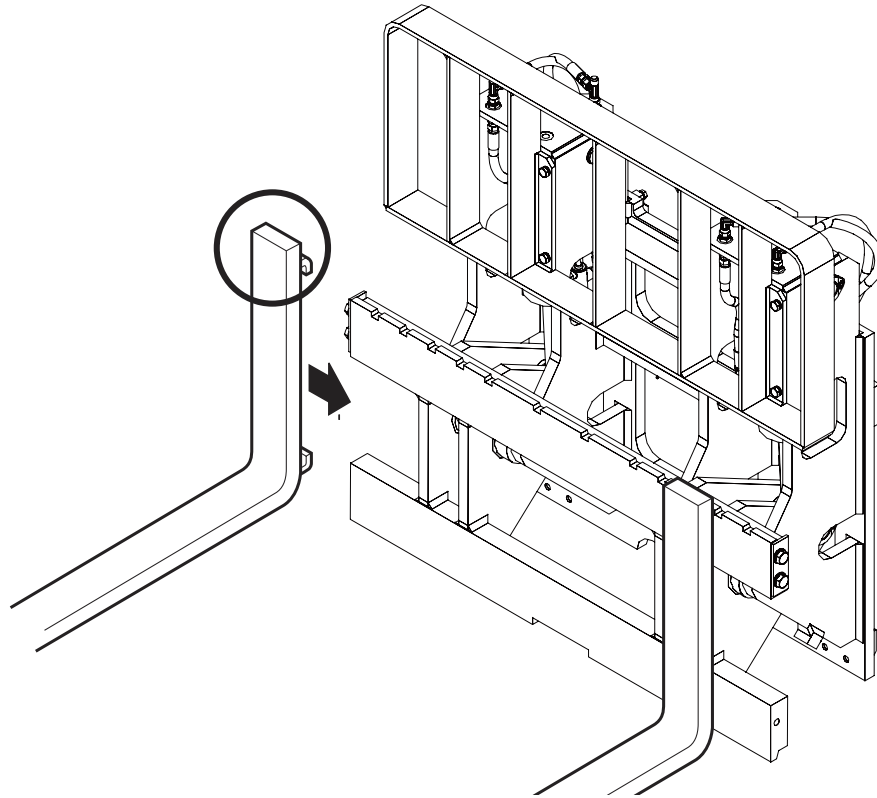


安装



INSTALLATION

6 安装货叉 Install Forks



卡斯卡特（厦门）叉车属具有限公司

Cascade Xiamen Forklift Truck Attachment Co.Ltd

地址：厦门市海沧区阳光路668号 邮编：361026

No. 668 Yangguang Road, Haicang, Xiamen, Fujian, 361026 P.R China

电话/Tel: 0592-6512500 传真/Fax: 0592-6512571



cascade corporation

www.cascorp.com.cn

卡斯卡特（厦门）公司保留对本手册修改的权利，如有修改，恕不另行通知。

Cascade Xiamen reserves the rights to make change without notice.

1210953 R4 XM CN 02/2016