

35E和45E标准型推拉器

所有E系列标准型推拉器都具有卡斯卡特的侧移功能（参见注释A），具有无与伦比的可操作性，可选快换式下钩安装更便捷。35E型号的承载能力最大可达1600kg，45E型号最大可达2000kg。其它不同的特性还包括：

35E或45E是针对短轴距，平衡重式叉车（承载能力1100kg-2000kg）。35E型推拉器与小吨位叉车组合能够最大限度地提供净承载能力，长度短，具有优秀的可操作性。非常适合于拖车和火车车厢作业以及采用滑板的仓储行业。

45E非常适合于双层货物堆垛作业，同时也适用于火车车厢的货物装卸。

整机

- A. 具备侧移功能，挂装在推拉器横梁上的标准叉板。
- B. 液压可调式叉板。
 - 适合加宽型托盘货物搬运。
 - 允许司机在座位上对叉板间距进行调整。
- C. 侧移式叉板。
 - 具有基本的侧移功能但框架不动。
 - 适合窄巷道或空间受限的工况作业。
 - 侧移量为200 mm。
- D. 推出器。
 - 没有能够夹住滑板的钩板。
 - 可将货物铲到托盘上。
- E. 滑板可留式®。
 - 可允许司机在推出货物的同时将滑板保留下来。

35E & 45E CARRIAGE MOUNT PUSH/PULLS

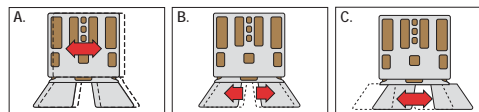
All E-Series carriage mount push/pulls are equipped with Cascade's SIDESHIFTING feature (see A.) for unbeatable maneuverability and with Q.D. hooks for convenience. The 35E model is rated for maximum load capacity of 3,500 and 45E for 4,500 lbs. Other differences include:

The 35E/45E is designed for short wheel-based, counter-balanced trucks in the 2,500 to 4,500 lbs. capacity range. The small truck 35E combination provides maximum net load handling capacity, short overall length and excellent maneuverability. It is ideal for truck trailer and rail car work, as well as for general slipsheet warehousing applications.

The 45E is well suited for double load stacking applications, as well as for rail car loading and unloading.

BASE UNITS

- A. Sideshifting standard on all carriage mount push/pulls.
- B. Hydraulically adjustable platens.
 - For applications requiring extensive pallet handling.
 - Allows driver to adjust the platen spread from his seat.
- C. Sideshifting platens.
 - Works like basic sideshift except the frame doesn't move.
 - For narrow or restricted applications.
 - 200 mm sideshift capacity.
- D. Load Push.
 - Does not have gripper mechanism to pull slipsheet.
 - For loads that are scooped onto the platens.
- E. Sheet Sav®
 - Allows the driver to retain the slipsheet when the load is pushed off.



35E/45E 快装型推拉器QFM™

我们的快装型推拉器可实现将一台带标准货叉的叉车在短短数分钟之内切换成用滑板搬运的状态，同时无需拆卸货叉。快装型推拉器非常适合于那些需要部分时间进行滑板作业的情况，实现同一台叉车进行托盘和滑板两种搬运方式。



1. 将货叉置于叉板底部。
1. Position forks under platens.
2. 快速联接式接头。
2. Connect quick change hydraulic couplers.
3. 锁好下钩。
3. Engage lower hooks.
4. 快装型推拉器已准备好进行滑板搬运作业。
4. QFM Push/Pull is now ready for slipsheet loads.

35E/45E QFM™ (QUICK FORK MOUNT) PUSH/PULLS

Our QFM models allow a standard fork truck to be converted into slipsheet truck in a matter of minutes—without removing the forks. QFM push/pulls are ideal for companies that handle slipsheets on a part time basis and use a single truck for both pallet and slipsheet handling.

E系列推拉器 E-Series Push / Pulls



最适合您的推拉器。
The best Push/Pull for the job.



您的搬运需求，这款推拉器最合适。
There's no better Push/Pull for the job.

在介绍我们的推拉器之前，我们先来仔细分析一下物料搬运市场的需求。我们希望的不仅仅是介绍一款推拉器，而是提升这一领域相关产品的性能，这对于我们的客户来说至关重要，同时给客户的价格更优惠。
Before introducing our push/pulls, we took a good hard look at what the materials handling market needs. Our desire wasn't to introduce just one push/pull, but to raise the standards of performance in areas that are important to our customers—and to do this at a lower price.

推拉器具有如下特征：

- 能为司机提供一款视野更好，速度更快且操作更流畅的属具。
- 强度高且经久耐用，可提供数年简便、免维护的操作。
- 能让叉车保持较大的净承载能力。
- 可同时保护滑板 and 货物免遭破损。
- 操作快速、流畅，面板推出力较大且耗能低。

The Result is a Push/Pull that:

- Raises productivity by giving the driver better visibility and a faster, smoother operating attachment.
- Features the strength and durability to provide years of simple, trouble free operation.
- Delivers high net truck capacity.
- Protects both slipsheets and loads from damage.
- Provides fast, smooth operation with high pull force and low energy consumption.

叉板间隙可快速进行调整（标准型推拉器）

Platen spacing can be adjusted in seconds (carriage mount models).

叉板采用高强度材料，前端较薄，后端较厚。

Platens are fully tapered T1 steel.

叉尖前端的斜面保护滑板免受破损。

Platen tips are chamfered to protect the slipsheet.

推拉器面板中部可视孔增强了操作视野。
Increased visibility through center of push/pull.

滑动支承坚固、耐磨，无需润滑。
Tough, wear resistant bearings require no lubrication.

坚固的双油缸驱动推拉机构提供更广泛的推力分布，采用铰接式联接。
Rigid double cylinder pantograph mechanism provides wider distribution of forces and pivot points.

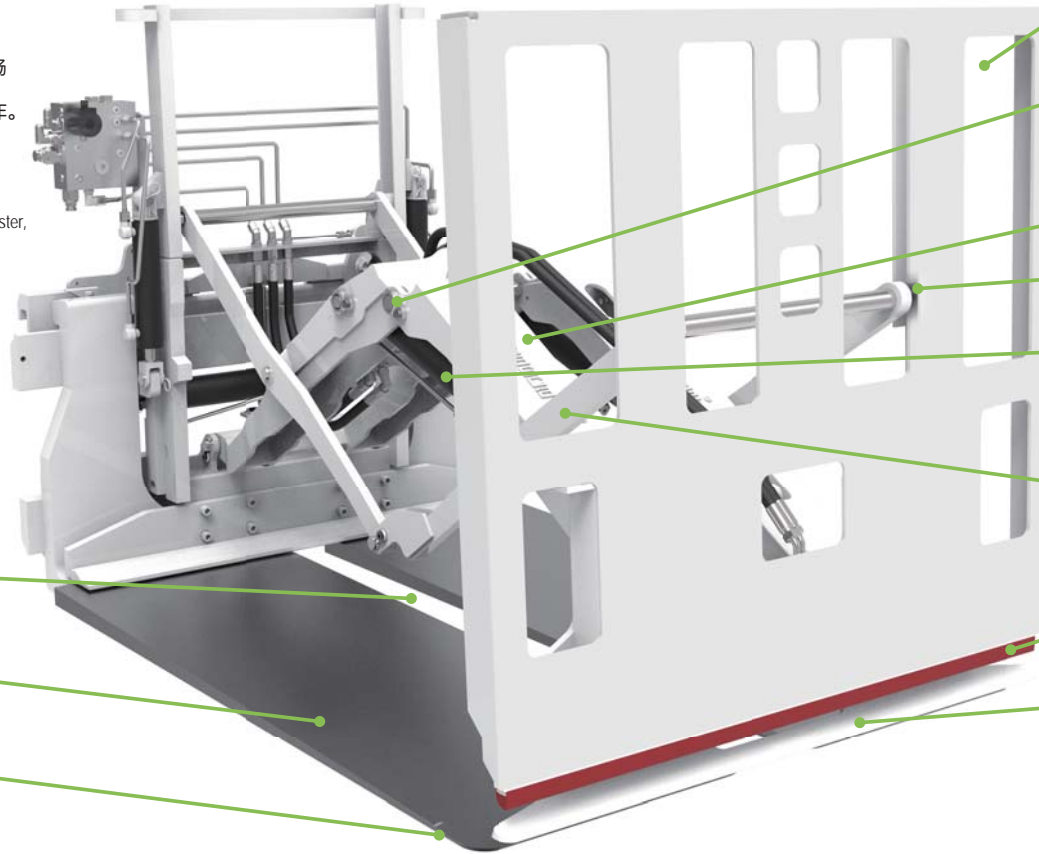
滚柱使用寿命长。
Long life rollers.

液压组件都置于伸缩臂的保护之下。
Hydraulics are completely protected within the arms.

高强度组合式结构。铸造式伸缩臂强度高。
High strength unitized construction. Cast arms provide more strength than fabricated arms.

聚氨酯压垫可安全可靠地夹紧滑板，从而对滑板起到保护作用。
Urethane gripper bar provides tight, secure grip while protecting the slip sheet.

钩板可以在全宽范围内可靠地夹住滑板突出端。
Gripper jaw opening handles longer tabs.



叉板可像常规货叉一样进行挂装，因此叉板间距可以在短时间内进行调整（标准型推拉器）。
Platens are hung like conventional forks so spacing can be adjusted in seconds (carriage mount models).



卡斯卡特快装系统可快速、便捷地安装侧移机构而无需对叉车货叉架和推拉器上横梁进行改动或焊接。
Cascade's Quick-Mount system provides fast, easy side-shift installation with no modification or welding to the truck carriage and no false carriage.



独特的钩板设计延长了叉板的叉尖，同时面板后倾4°，这使得推拉器便于夹住滑板。
Unique gripper jaw design that extends over tips of platens & 4° tilting faceplate makes it easy to engage slipsheet.



价格更有竞争力。
There's none better for the price.